

ECHOTRAC CV300

USER MANUAL
Version: 4.04



Odom Hydrographic Systems, Inc.
1450 Seaboard Avenue
Baton Rouge, Louisiana
USA
70810-6261

Telephone: (225) 769-3051 Fax: (225) 766-5122

Email@Odomhydrographic.com

<http://www.odomhydrographic.com>

Number of pages: 48
Date: May 28, 2008

Revision History

Version	Date	Author	Remarks
0.1	07-01-2003	P. Oostenrijk	Initial version – draft
1.24 b	07-19-2003	P. Oostenrijk	Accepted Beta version
3.0	11-09-2004	P. Oostenrijk	Released version: updated for CV3 and parameter list.
3.01	11-23-2004	P. Oostenrijk	Minor changes to Load Settings
3.08	04-14-2005	P. Oostenrijk	Updated manual for firmware version 3.08 Added section on how to request parameter settings through the serial port.
3.10	08-11-2005	P. Oostenrijk	Added Standby-bit feature
3.20	01-16-2006	P. Oostenrijk	Added UDP port, 8/16 Bit data and Operation time Added support for Asian Language pack Corrected dimensions: 17"x17"x3.5" Added DESO_DDV outputstring Removed Echoalarm for Echotrac CV Removed TVGgainref and Trackinggate for Echotracs.
3.21	02-01-2006	P. Oostenrijk	Test version for new Deso command handling.
3.22	02-28-2006	P. Oostenrijk	New optimized Deso command handling routines. Re-enabled TVGgainref and Trackinggate in Echotrac Control program. Improved annotation handling.
3.23	05-22-2006	P. Oostenrijk	Improved Echotrac Control program network detection interface. Low Frequency pulse width increased to 256. Corrected auto-scaling when draft and index are used. Added support for Echotrac CVM.
3.24	07-17-2006	S. Apsey	Added section in the manual to show how to connect the transducers for different configurations of Echotrac CV/CV3 Added external trigger.
3.25	08-03-2006	P. Oostenrijk	Fixed: Stopping the synchronization process disabled communication with Echotrac. Added compatibility check and warning for Echotrac Control Program version and Echotrac firmware version. If during synchronization a parameter is missing, the parameter name is now displayed. Improved version control in firmware and diagnostic window. Added Echotrac and Subbottom mode. Added Datacheck for GPS and Heave. Depth values are red in case of depth alarm. Added transparency feature on depth monitor window. Added support for CV100.
3.26	09-07-2006	P. Oostenrijk	Added Power & Gain control to Depth Monitor window. Fixed problem with Scale width at 15 feet. Fixed problem with communication when switching to subbottom mode.
3.27	09-22-2006	P. Oostenrijk	Echotrac CVM Maximum and Default values changed. When depth is 0 it is in red. When channel is turned off, "OFF" would also be in red instead of black. Display versions according to boards in Echotrac.
3.28	01-10-2007	P. Oostenrijk	Removed "Accept automated changes" feature.
3.29	05-22-2007	P. Oostenrijk	Added description for Missed Returns on Setup tab. Minor change in Grey Shades description. Updated COM port's baudrate options to include 38400. Removed chapter Overview Parameters and Settings. This is now refers to the Technical Specification Ethernet Interface



4.00	02-19-2008	P. Oostenrijk	document. Updated Odom Title and Logo on cover page. Updated Header and Footer according to new template. Updated the introduction section and listed major changes. Inserted screen capture of new dialog for selecting a sounders on the network. Added Channel signal types and Bandwidth on System Tab. Update the NMEA serial output string formats. Updated uploading firmware and upgrading DSP firmware.
4.01	02-25-2008	P. Oostenrijk	Updated document version to match software/firmware version.
4.02	03-13-2008	P. Oostenrijk	Minor firmware change with model names.
4.03	05-23-2008	P. Oostenrijk	Updated Scale change functionality. Updated CVM channel handling as 1 and 2 instead of 1 and 3.
4.04	05-28-2008	P. Oostenrijk	DBT outputstring changed on pages 54 and 55. Two channels enabled = 'B' instead of 'I' or 'M'. If the first depth has an error, 'e' is used. If the second depth has an error, 'o' is used unless also the first depth as an error. Removed references to Echotrac Control Program. This application has been replaced by Odom eChart.

© ODOM HYDROGRAPHIC SYSTEMS, INC. 2008

All rights are reserved. Reproduction in whole or in part is prohibited without the prior written consent of the copyright owner.

The information presented in this document does not form part of any quotation or contract, is believed to be accurate and reliable and may be subject to change without notice. The publisher will not accept any liability for any consequence of its use. Publication thereof does not convey nor imply any license under patent- or other industrial or intellectual property rights.



CONTENTS

1	Introduction.....	6
1.1	Purpose.....	7
1.2	Scope.....	7
1.3	Glossary.....	7
1.4	References.....	7
2	Product description.....	8
2.1	Specifications.....	8
2.2	Overview.....	9
2.3	Cabling.....	9
2.4	Power connector.....	9
2.5	Choice of operating frequencies.....	10
2.6	Fuses.....	10
2.7	Signal connector TX1.....	10
2.8	Signal connector TX2.....	10
2.9	Serial Ports.....	11
2.10	GPS IN / OUT (for the optional internal GPS only).....	11
2.11	GPS antenna.....	11
2.12	LAN.....	11
2.13	AUX.....	11
2.14	EXT. REC (CV2 / CV3).....	11
2.15	Power switch.....	11
2.15.1	Power-OFF.....	12
2.15.2	Power-ON.....	12
2.15.3	STANDBY.....	12
2.16	Power indicator.....	12
2.17	Ethernet indicators.....	12
2.18	Transmit indicators.....	12
3	Installation.....	13
3.1	Software installation.....	13
3.2	Setting up the equipment.....	13
3.3	Powering up the equipment.....	14
3.4	Configuration and Connection of Echotrac CV and Transducers.....	15
3.5	Transducer installation.....	17
3.5.1	"THROUGH HULL" transducer installation.....	17
3.5.2	"SEA CHEST" transducer installation.....	19
3.5.3	"OVER-THE-SIDE" transducer installation.....	20
4	Operational procedures.....	21
4.1	Things to consider when calibrating.....	21
4.2	How to calibrate the Echotrac CV.....	21
4.3	How to perform a bar check.....	23
4.4	Shallow Water Operation.....	24
4.5	Deep Water Operation.....	24
4.6	Using the optional built-in Starlink Invicta DGPS.....	25
4.6.1	Introduction.....	25
5	Troubleshooting.....	26
5.1	The Echotrac CV does not seem to be working.....	26
5.2	The Echotrac CV power LED is off.....	26



5.3	The Echotrac CV power LED is flickering	26
5.4	What are the COM-port settings	26
5.5	Known problems with Transducer	26
6	Technical specifications	27
6.1	Computer communications	27
6.2	Overview Serial Output string formats	28
6.3	Serial output strings	30
6.3.1	Echotrac SBT	30
6.3.2	Echotrac DBT	31
6.3.3	Heave	33
6.3.4	DESO25	34
6.3.5	DESO DDV	34
6.3.6	DESO COMMANDS	35
6.3.7	NMEA DBS	35
6.4	Serial Data input / Chart annotation	36
6.5	Serial heave input	37
6.6	External Serial Control of Echotrac Parameters	38
7	Overview parameters and settings	40
7.1	External Ethernet Control of Echotrac Parameters	40
8	Uploading Firmware	41
8.1	Upgrading Motorola Processor Firmware	41
8.2	Upgrading DSP Firmware	42
9	Echotrac CV Cable Connections	43
9.1	Serial 1	43
9.2	Serial 2	43
9.3	Serial 3	43
9.4	Serial 4	43
9.5	GPS In	43
9.6	GPS Out	44
9.7	LAN	44
9.8	Aux	44
9.9	TX1	44
9.10	TX2	45
9.11	DC	45
9.12	AC	45
9.13	Serial Cable Connections for Echotrac with Built in GPS	45
Appendix A. CABLE CONNECTIONS:		46
Appendix B. Quick Start Operating Procedures		47



1 INTRODUCTION

There are four Echotrac CV units named Echotrac CV100, Echotrac CV200, Echotrac CV300 and Echotrac CVM (Mobile). This document covers the Echotrac CV300 and will refer to this unit as “Echotrac CV”. This Echotrac CV supports three channels.

The Echotrac CV is a hydrographic echo sounder design incorporating the cutting-edge technology, features and reliability of the Echotrac MKIII, plus the ease and flexibility of operation of a networked Windows® interface. The Echotrac CV transceiver units are supplied in a compact rack mount package that is ideally suited to many shipboard installations. The Echotrac CV supports Chart-functionality in two optional formats, a full size color LCD “electronic chart” or a high-resolution thermal paper recorder. Both are supplied in flexible modular enclosures complete with swivel mounting hardware. A third option, that of operating the unit and collecting data on a networked PC, is also possible. The optional color LCD module offers internal data storage (in .XTF format) and playback of the analog return signal digitized to full 16-bit resolution. The Echotrac CV contains a Dual channel board and a single channel board. All channels feature a robust design and frequency agility enabling the operator to precisely match the transceiver to almost any existing transducer. Operator selectable TVG curves (10 Log, 20 Log, 30 Log, 40 Log, and Off) serve to optimise the Echotrac for both shallow and deepwater bottom detection tasks and for Sonar imaging. The Echotrac CV features unsurpassed interfacing flexibility, offering 4 serial ports that can be configured to interface with computers, positioning systems, motion reference units and remote displays. The Echotrac CV also has an Ethernet port that outputs the 16 bit samples of the acoustic data for further processing or visualization. The Echotrac CV also supports a number of output formats that are compatible with most common Echo Sounder strings.



Figure 1: Echotrac CV

To learn about the features of the Echotrac CV, this document is structured as a step by step manual; covering the Echotrac CV as a product, how to install the software and the equipment, how to use all the different control settings, how to perform certain procedures, how cables are wired to their connectors and troubleshooting.

Some of the major changes as of version 4.00 are:

- Replacement of the Echotrac Control Program with Odom eChart, a graphical data acquisition program. Because the Echotrac Control Program 4.00 will become obsolete, it does not support some of the major changes such as faster synchronization and adapting to the sounder’s hardware configuration.
- Faster synchronization due to improved communication protocol.
- Automatic detection of sounder(s) on the network and adapting to the sounder’s hardware configuration.



1.1 Purpose

The purpose of this document is to explain the features and operation of the Echotrac CV.

1.2 Scope

The content of this document is focused on the end-user.

1.3 Glossary

DBS	Depth Below Surface
DBT	Dual Bottom Tracking
DGPS	Differential Global Positioning System
DSP	Digital Signal Processor
ETCV	Echotrac CV
NMEA	National Marine Electronics Association
SBT	Single Bottom Tracking
TNC	Threaded Nut Connector
TVG	Time Varied Gain
VDC	Volts Direct Current

1.4 References

- [1] Title: Windows Flash Utility: OdomFlash.exe
Author(s): Patrick Oostenrijk
Report no: N/A
Version: 2.2
Date: 2007-02-27

- [2] Title: Using Echotrac Ethernet Driver with Hypack
Author(s): Stephen Apsey
Report no: N/A
Version: 1.0
Date: 2006-07-17

- [3] Title: Technical Specification Ethernet Interface
Author(s): Patrick Oostenrijk
Report no: N/A
Version: 1.8
Date: 2008-05-28



2 PRODUCT DESCRIPTION

2.1 Specifications

Frequency

- High Band: 100 kHz-1 MHz
- Low Band: 10 kHz-50 kHz
- Optional Very Low Band 3 kHz to 24 kHz

Output Power

- High: 100 kHz – 1 kW RMS max
200 kHz – 900 W RMS max, 750 kHz – 300 W RMS max
- Low: 12 kHz – 2kW RMS max, 50 kHz – 1.5kW RMS max
- Very Low: 3kHz – 4kW (transducer impedance dependant)

Input Power

- 110 or 220 V AC or 24 VDC 50 watts

Resolution

- 0.01m / 0.1 ft.

Accuracy

- 0.01m / 0.10 ft. +/- 0.1% of depth @ 200 kHz
- 0.10m / 0.30 ft. +/- 0.1% of depth @ 33 kHz
- 0.18m / 0.60 ft. +/- 0.1% of depth @12 kHz

Depth Range

- 0.2 – 200m / 0.5 – 600 ft. @ 200 kHz
- 0.5 – 1500m / 1.5 – 4500 ft. @ 33 kHz
- 1.0– 6000m / 3.0 – 20,000 ft. @ 12 kHz

Chart Scales

- 5,10,20,40,80,100,200,400,800, 1600 m
- 15,30,60,120,240,300,600,1200, 2400,4800 ft.

Phasing

- Automatic scale change, 10%,20%, 30% overlap or Manual

Printer

- High resolution 8 dots/mm (203 dpi), 16 gray shades
- 216mm (8.5") wide thermal paper or film
- External ON/OFF switch
- Paper advance control

Paper Speed

- 1cm/min. (0.5"/min.) to 22 cm/mm (8.5"/min.)

LCD Display

- 15 inch TFT Screen
- Sunlight Readable
- Internal Data Storage in XTF format on 40GB Hard Disk
- Data Transfer via Ethernet interface or USB Flash Drive

Sound Velocity

- 1370 – 1700 m/s
- Resolution 1 m/s

Transducer Draft Setting

- 0 – 15m (0 – 50 ft.)

Depth Display

- On control PC and LCD display

Clock

- Internal battery backed time, elapsed time, and date clock

Annotation

- Internal – date, time, GPS position
- External – from RS232 port

Interfaces

- 4 x RS232 and 1 x RS422 serial ports, baud rate selectable 4800-19200.
- Inputs from external computer, motion sensor, sound velocity.
- Outputs to external computer, remote display
- Outputs with LCD chart – VGA video out
- Ethernet interface
- Heave – TSS1 and sounder sentence

Blanking

- 0 to full scale

Installation

- Desktop or optional rack mount and bulkhead

Software

- Odom eChart supplied
- ChartView supplied with LCD configuration

Help

The function of each parameter and it's

minimum and maximum values can be printed on the paper chart. Also, a record of all parameter settings can be printed on the chart.

Environmental Operating Conditions

- 0°– 50° C, 5 – 90% relative humidity, Non-condensing

Dimensions

- 90mm (3.5") H x 432mm (17") W x 432mm (17") D

Weight

- 15.9 kg (35 lbs.)

Options

- Third Acoustic Channel (multiple configurations)
- Remote Display
- Side Scan Transducer – single or dual channel side looking 200 kHz for 340kHz for search and reconnaissance
- Built-in DGPS



2.2 Overview

On the backpanel of the Echotrac CV are all the connectors for serial communication interfacing, GPS data, Ethernet communication, Transducer signals and power. See below, in Figure 2 for an overview of all the connectors. Each item will be explained in more detail in the following chapters. The front panel has LED indicators for Ethernet communication, Transceiver board operation and power.

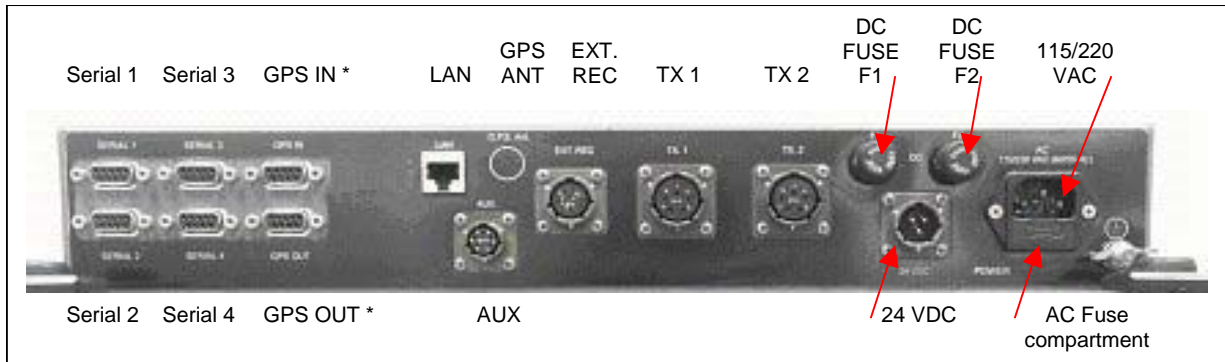


Figure 2: Overview of Echotrac CV

* **Important Note:** The GPS IN and GPS OUT connectors are only used when there is an internal GPS system built into the Echotrac CV. These two connectors are connected directly to the internal GPS ports A and B to provide external communication with the GPS. The connector labeled GPS IN is used to change the internal GPS settings such as Baudrate etc. The connector labeled GPS OUT is used by the GPS to output the GPS positioning data.

The Echotrac CV is a flexible unit designed for tabletop or rack mounting. Rack mounting can be accommodated with the included special hardware. Where tabletop mounting is preferred, it is highly recommended that the unit be secured with external 'tie-downs' for rough seas or heavy swells.

2.3 Cabling

All cabling is via the connectors located in the recessed panel at the rear of the unit. A view of the connector arrangement is shown in Figure 2. Cable details are given in Appendix A. Care should be taken to route cables using horizontal and vertical runs wherever possible. Avoid paths that run adjacent to transmitter feeder cables or close to heat radiating elements such as steam pipes. For permanent installations, cables should be clamped at regular intervals (1m) along their complete lengths.

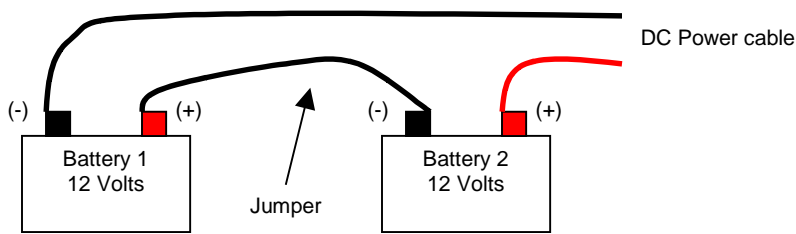
2.4 Power connector

The Echotrac CV can be powered by either AC or DC power sources. Switch over between sources is automatic. DC operation requires an input voltage between 18 and 29 VDC (nominal 24 VDC). Average power consumption is approximately 25-30 watts. Frequently, power is derived from two 12 V lead-acid batteries connected in series. These batteries (24V configuration), fully charged, and in good condition, can normally power a unit for a full day without re-charging.

If using an AC source, the unit's internal switcher accommodates either 230 or 110 VAC (50/60Hz) operation without operator intervention. Regardless of the input source (AC or DC), the input power should be well regulated and monitored closely for voltage transients, spikes, etc. Regulated DC supplies should be able to source a short duration in-rush current spike of approximately 6 amps and an average current load of 3 amps. In the case of "charger" type (unregulated) supplies, the output should be "floated" across a battery load and not connected solely to the echo sounder's DC input. Details of the power cable are given in Appendix A. **Should the DC input voltage polarity be applied in reverse, an audible alarm within the unit will sound regardless of the POWER switch setting.** In the event that the input voltage drops below the minimum threshold the unit will automatically shut down.



Setting up two batteries in series (24 Volts DC system)



Using a jumper simply connect the positive post of battery 1 to the negative post on battery 2. Connect the negative lead from the power cable to the negative post on battery 1 and the positive lead to the positive post on battery 2. Always check the voltage with a voltage or multi-meter before connecting the DC power cable to any equipment. Make sure that all the connecting equipment is also turned off before applying the power cables. Otherwise the transients of such a 'jump-start' could damage the equipment.

2.5 Choice of operating frequencies

The Echotrac CV can be configured to use either a combination of a High and a Low frequency board, respectively 100 kHz – 1 MHz and 10 kHz – 50 kHz, or two High or two Low frequency boards. The Echotrac CV3 has a Dual High Frequency board in combination with either a single High Frequency board or a single Low Frequency board. Standard transducers are generally available from stock that support the frequency ranges listed on the product description page (See 2.1 Specifications).

2.6 Fuses

For DC operation, both the positive and return lines are protected by fast blow standard glass tube (5-Amp/250 Volts) fuses and are located behind the waterproof twist-lock caps. The two externally accessed fuses are mounted on the rear connector panel. The negative fuse protects the unit from damage resulting from contact with external peripherals that do not share a common return path potential. A 5-amp fuse is included in the AC input connector as well.

2.7 Signal connector TX1

Use signal connector TX1 when you have a single High or Dual Frequency transducer. The signal from the transducer is passed to the Echotrac CV via a standard Odom transducer cable with a twist-lock connector. The twist-lock connector is attached to the Echotrac CV where a connector is labeled "TX1". On the Echotrac CV3, TX1 is connected to the Dual High Frequency channel board. See chapter 9: Echotrac CV Cable Connections for cable configurations.

2.8 Signal connector TX2

Use signal connector TX2 when you have a separate Low Frequency transducer. The signal from the transducer is passed to the Echotrac CV via a standard Odom transducer cable and twist-lock connector. The twist-lock connector is attached to the Echotrac CV where a connector is labeled "TX2". On the Echotrac CV3, TX2 is connected to the Single Low or High frequency board. See chapter 9: Echotrac CV Cable Connections for cable configurations.



2.9 Serial Ports

Serial 1

The Echotrac CV uses Serial port 1 to output depth data. Using a special Flash Utility program, the port is also used to upgrade the software in the Echotrac CV. Another use of the port is to send commands to the Echotrac CV or request certain parameter settings.

Serial 2

Serial port 2 is dedicated to connect the optional remote display to the Echotrac CV. The port can be configured to use either an RS232 or RS422 protocol.

However, this feature is currently not supported with the Echotrac CV.

Serial 3

Serial port 3 is used to receive external GPS data in NMEA GLL or GGA format. It is best to only configure the GPS to output only one of these strings as too much data can interfere with the communication processor's other tasks. When a GPS is connected to the Echotrac CV and is receiving position information, the Echotrac CV can output that GPS information on the Ethernet port.

Serial 4

Serial port 4 is used to receive motion sensor data in TSS1 format (heave). This port enables the Echotrac CV to accept data from a motion compensator to apply corrections for the vertical movement caused by swells. The Echotrac CV will only correct the depth for Heave. No corrections are done for Roll and Pitch.

2.10 GPS IN / OUT (for the optional internal GPS only)

The DB9 (RS232) connector labelled "GPS IN" can be used to configure the optional internal GPS or enter RTCM corrections to the internal GPS. The DB9 (RS232) connector labeled "GPS OUT" is used to output the GPS data from the optional internal GPS system. On the physical GPS unit these ports would be labelled as ports A and B. The internal GPS system is an optional feature and does not come standard in the Echotrac CV.

2.11 GPS antenna

The GPS antenna for the optional internal GPS can be attached to the TNC connector labeled "GPS antenna".

2.12 LAN

The LAN port is used by the Echotrac CV to send and receive data on the network. The Echotrac CV can be connected directly to a Hub or a Switch using a regular UTP CAT-5 ethernet cable. A regular cable is also known as a 'straight' UTP cable. When the Echotrac is connected directly to a computer, a so-called 'cross-over' UTP cable must be used. When a computer is directly connected to the Echotrac CV using a crossover cable, the operating system on the computer may take 2-3 minutes before the computer has accepted a valid IP address. To prevent this delay, you can assign the computer a static IP address or use a Hub/Switch.

2.13 AUX

The auxiliary port is used for acquiring the analog signal from the Echotrac CV.

2.14 EXT. REC (CV2 / CV3)

The External Recorder port is used to connect the optional external printer. This is only available on the Echotrac CV2 and CV3.

2.15 Power switch

The power switch in the ON position will power-up the internal circuitry. In the OFF position it will power-down the internal circuitry.



2.15.1 Power-OFF

The main power switching circuitry is open in this position. Please note that the Echotrac CV switches automatically between AC and DC operation when an appropriate source of power is applied to the unit. Should both AC and 24VDC be applied to the unit at the same time, then the Echotrac will automatically favour the 24VDC supply.

2.15.2 Power-ON

On "power-up", the unit performs a Self-test to check system memory and also tests the Non-volatile RAM battery voltage. If there was a problem with the Non-volatile RAM, the factory defaults will be loaded. The unit then enters the sounding mode and begins data acquisition.

2.15.3 STANDBY

The main power circuitry is energized, drawing current from the mains and providing regulated DC voltages to all internal modules.

The unit is no longer in the sounding mode when it is in the standby position. However, the Parameter Entry System is enabled.

2.16 Power indicator

When the Echotrac CV is turned on, a green LED will be on to indicate that the internal systems have powered up successfully. The green LED is located next to the power switch.

2.17 Ethernet indicators

The TX indicator on the Echotrac CV indicates whether or not the data is transmitted on the Ethernet port. The frequency at which the TX indicator flickers also indicates whether the Echotrac CV is outputting data at a slow or fast pace.

The Link indicator on the Echotrac CV indicates that it recognizes the presence of a network. If the receiving end of the ethernet cable is connected to a computer or a hub/switch that is not powered on, the link light will not be on.

2.18 Transmit indicators

The Channel indicators on the Echotrac CV indicate whether that particular Transducer is firing or not. The frequency at which the Channel indicator flickers also indicates whether the Transducer is firing at a slow or fast pace. The other Channel indicators work in the same way.



3 INSTALLATION

This section contains the information necessary to install the Echotrac Control Software, power-up and connect the Echotrac CV. The installation procedure consists of a number of steps. Each step corresponds to a specific chapter. It is recommended that these steps (chapter 3.1, 3.2 and 3.3) for the installation procedure be followed in this order. See also the quick start procedure in Appendix B.

3.1 Software installation

Odom eChart, also referred to as the Echotrac Control program, is used to communicate with the Echotrac CV. The manual for Odom eChart explains the installation procedure.

3.2 Setting up the equipment

The Echotrac CV is a lightweight unit designed for portability. An interconnection diagram is shown in Figure 3. Care should be taken to route cables using horizontal and vertical runs wherever possible. Avoid paths that run adjacent to transmitter feeder cables or close to heat radiating elements such as steam pipes. For permanent installations, cables should be clamped at regular intervals (3 feet or 1 meter) along their complete lengths.

The Echotrac CV requires either an input voltage between: +18 and +29 VDC (standard) or between 110 and 220 VAC. The unit consumes less than 30 watts of power in normal operation. Power is frequently derived from one or two 12 V lead-acid batteries. Two batteries (24V configuration), fully charged, and in good condition, can normally power a unit for a full day without re-charging. Details of the power cable are given in the chapter 2.4 Power connector and the Appendix .

All cables are attached to the connectors located in the recessed area at the left rear of the unit (See Figure 2 in chapter 2.2). Connections are made through multi-pin "MS" style connectors, between the Echotrac CV, its power source, the transducer and all computer or peripheral devices.

The following Interconnection block diagram shows everything that can be connected to the Echotrac CV. All these peripherals are not required to use the basic functionality of the Echotrac CV.



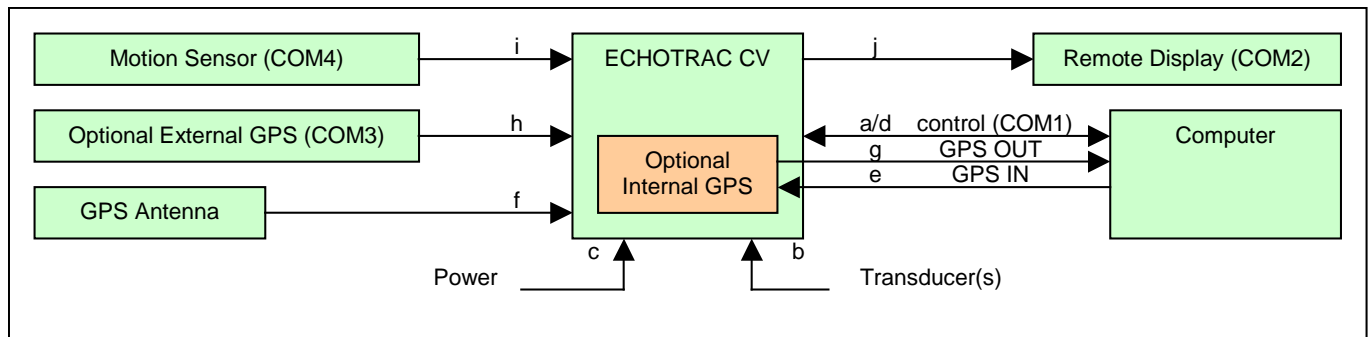


Figure 3: Interconnection block diagram

Before connecting any of the cables, make sure that the computer, the Echotrac CV and other peripherals are turned off. The list below is a sequence of steps for connecting the Echotrac CV with the computer and GPS. If any problems arise, see the Troubleshooting section.

- a) Connect the RS232 cable between the computer and the DB9 connector labeled “Serial 1”, if you need to collect depth data through the serial port or need to send command to the Echotrac CV.
- b) Connect the cable from the Transducer to the connector on the Echotrac CV labeled “TX1”.
- c) Connect the power cable for the Echotrac CV to the connector labeled “POWER”.
- d) Connect the UTP ethernet cable to the LAN connector if you want to collect data across a network.

If the optional internal GPS is used, then:

- e) Configure the optional internal GPS, using special software, through the connector labeled “GPS IN”.
- f) Connect the GPS antenna cable to the connector labeled “GPS antenna”.
- g) Connect the RS232 cable between the connector labeled “GPS OUT” with a COM-port on the computer.

If an external peripherals are used, then:

- h) Connect the RS232 cable between the connector labeled “Serial 3” and the external GPS.
- i) Connect the RS232 cable between the motion sensor and the connector labeled “Serial 4”.
- j) Connect the RS232 cable between the remote display and the connector labeled “Serial 2”.

3.3 Powering up the equipment

The following sequence must be followed when powering up the equipment:

1. Turn on the personal computer.
2. Turn on the Echotrac CV. After turning the Power Switch from the OFF position to ON, confirm that the power LED, Ethernet Link LED come on. After a few seconds, the Ethernet TX/RX LED and one or both of the Transmit High / Low LEDs should start blinking.
3. Start the Echotrac control program.
4. Turn on optional peripherals such as GPS or motion sensor.
5. Depending on water depth and bottom type, set the Tx Power to mid-range (position 6) in the Echotrac control program.
6. Set the RxGAIN to about halfway on the maximum scale.
7. Adjust RxGAIN and TxPOWER to get a clear strong record with few alarms on the displayed depth.

Note: The Echotrac CV should always be turned on before running the Echotrac control program.

Note: Should you feel that a return to the sounder’s default parameter values is called for, then select the Default Reset option in the Echotrac CV Window Application program.



3.4 Configuration and Connection of Echotrac CV and Transducers

Use the Model Number column to identify which Echotrac CV you have by looking at the Serial number sticker on the back of your Echotrac CV. Use the table to determine how to connect your transducers. When configuring the Echotrac CV in the control program make sure the correct frequency is entered for the appropriate transducer by looking at which channel in the control program is controlling each transducer. TX1 and TX2 refer to the transducer connectors on the back of the Echotrac CV

Model Number	Echotrac Model	Channel 1	Channel 2	Channel 3	Notes
ETCVX3-A	CV3	High Frequency	Low Frequency	High Frequency	<p>If using a high frequency transducer and a dual frequency transducer, connect the dual frequency transducer to TX1 and the high frequency transducer to TX2. Channel 1 will control the high frequency element in the dual frequency transducer and Channel 2 will control the Low frequency element in the dual frequency transducer. Channel 3 will control the high frequency transducer connected to TX2.</p> <p>If using all separate transducers use adaptor PN# CABET2DX and connect it to TX1. Connect the first high frequency transducer to the high frequency connector on the adaptor; this will be controlled by Channel 1 on the control program. Connect the Low frequency transducer to the low frequency connector on the adaptor; this will be controlled by Channel 2. Connect the second high frequency transducer to TX2 and this will be controlled by Channel 3.</p>
ETCVX3-B	CV3	High Frequency	Low Frequency	Low Frequency	<p>If using a low frequency transducer and a dual frequency transducer, connect the dual frequency transducer to TX1 and the low frequency transducer to TX2. Channel 1 will control the high frequency element in the dual frequency transducer and Channel 2 will control the low frequency element in the dual frequency transducer. Channel 3 will control the low frequency transducer connected to TX2.</p> <p>If using all separate transducers use</p>



					<p>adaptor PN# 2311-0011-000 and connect it to TX1. Connect the High frequency transducer to the high frequency connector on the adaptor; this will be controlled by Channel 1 on the control program. Connect the Low frequency transducer to the low frequency connector on the adaptor; this will be controlled by Channel 2. Connect the second Low frequency transducer to TX2 and this will be controlled by Channel 3.</p>
ETCVX3-C	CV3	High Frequency	Very Low Frequency	Low Frequency	<p>If using a Very Low frequency transducer and a dual frequency transducer, connect the dual frequency transducer to TX1 and the Very Low frequency transducer to TX2. Channel 1 will control the high frequency element in the dual frequency transducer and Channel 3 will control the low frequency element in the dual frequency transducer. Channel 2 will control the Very Low frequency transducer connected to TX2.</p> <p>If using all separate transducers use adaptor PN# 2311-0011-000 and connect it to TX1. Connect High frequency transducer to the high frequency connector on the adaptor this will be controlled by Channel 1 on the control program. Connect the Low frequency transducer to the low frequency connector on the adaptor and this will be controlled by Channel 3. Connect the Very Low frequency transducer to TX2 and this will be controlled by Channel 3.</p>
ETCVX3-D	CV3	High Frequency	Very Low Frequency	High Frequency	<p>If using a high frequency transducer and a dual frequency transducer, connect the dual frequency transducer to TX1 and the high frequency transducer to TX2. Channel 1 will control the high frequency element in the dual frequency transducer and Channel 2 will control the low frequency element in the dual frequency transducer. Channel 3 will control the high frequency transducer connected to TX2.</p> <p>If using all separate transducers use</p>



					adaptor PN# 2311-0011-000 and connect it TX1. Connect the first high frequency transducer to the high frequency connector on the adaptor this will be controlled by Channel 1 on the control program. Connect the Very Low frequency transducer to the low frequency connector on the adaptor and this will be controlled by Channel 2. Connect the second high frequency transducer to TX2 and this will be controlled by Channel 3.
--	--	--	--	--	---

3.5 Transducer installation

Proper mounting of the transducer is a crucial part of the installation of any "survey" echo sounder. An improperly mounted transducer will result in poor system operation and unacceptable data quality.

Important: See also chapter 5.5 Known problems with Transducer.

In the case of temporary installations, the transducer is often mounted over-the-side. In permanent installations and "pay surveys," hull mounts are generally preferred and often required. In either case, the transducer should be mounted as far below the waterline as possible. In cases where "over the side" mounts are exposed to wave action, ensure that the transducer is mounted far enough below the surface so that it remains well submerged during vessel roll motions.

A preferred mounting location is near the keel of the vessel, in an area where the planing attitude of the hull and the pitch and roll angles of the vessel have the least effect at operating speed. The transducer should be mounted far enough aft of the bow so that bubbles generated by the bow wave will not pass over the face of the unit. Transducers should be located away from sources of turbulence and cavitation bubbles such as propellers, bow thrusters and hull protrusions. Consideration should also be given to sources of mechanical noise generated within the vessel (engines, propellers, pumps, generators, etc.). In some severe cases of mechanically coupled noise, vibration-isolating mounts may be required to mechanically decouple the transducer from the hull.

Transducer mounting can be accomplished in many different ways. The following three chapters show common configurations.

3.5.1 "THROUGH HULL" transducer installation

The top side of the transducer is accessible from inside the vessel while the transducer face is directly exposed to the water. Care should be taken to protect the transducer from damage and turbulence by installing a fairing with a sloping forward edge ahead of the unit. The fairing has the dual effect of both minimizing possible strike damage and smoothing the flow of water over the face of the transducer.



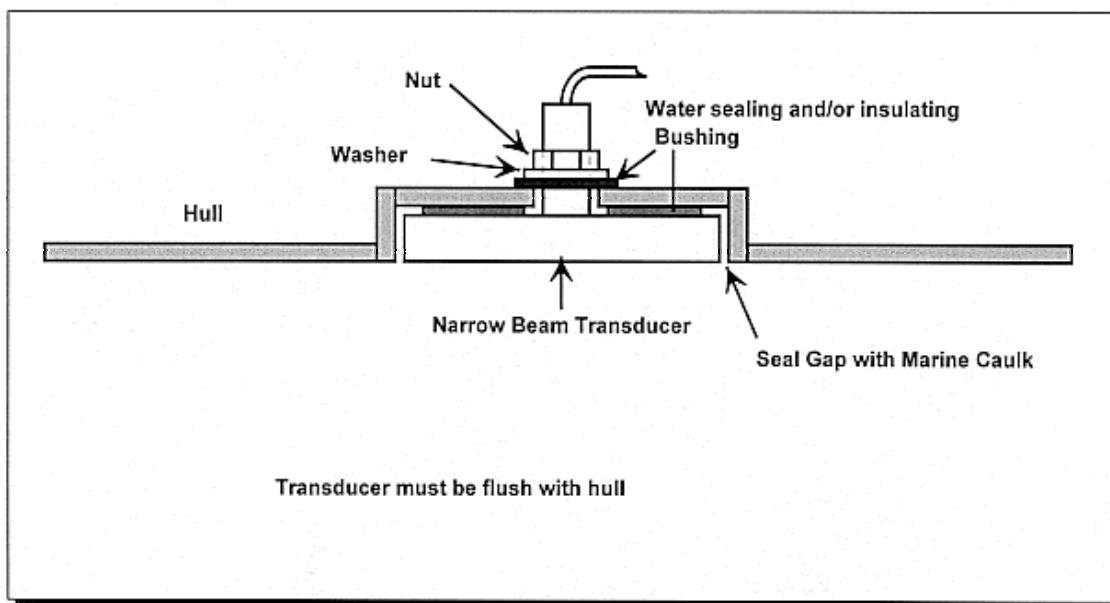
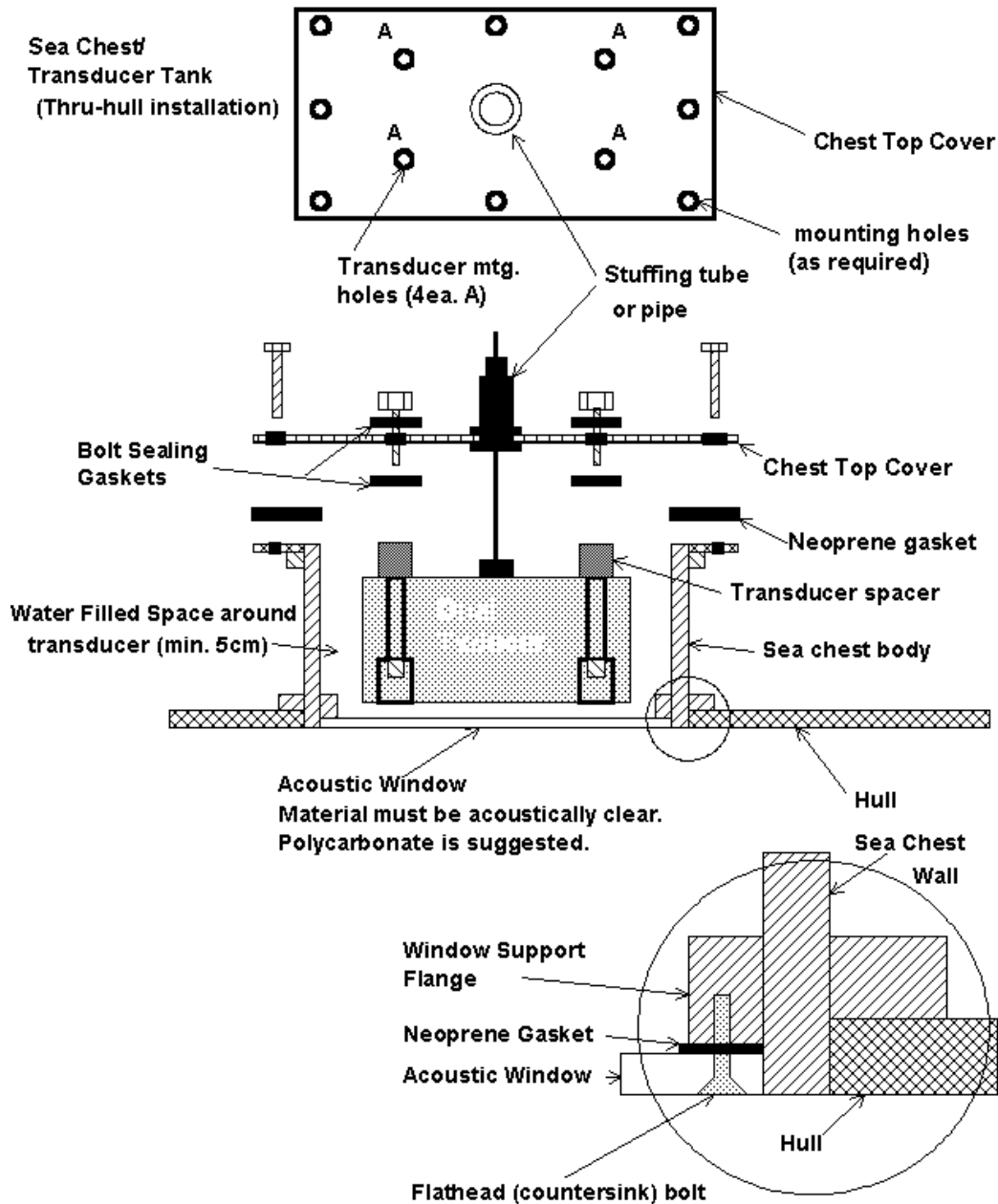


Figure 4: Transducer mounted through the hull



3.5.2 "SEA CHEST" transducer installation

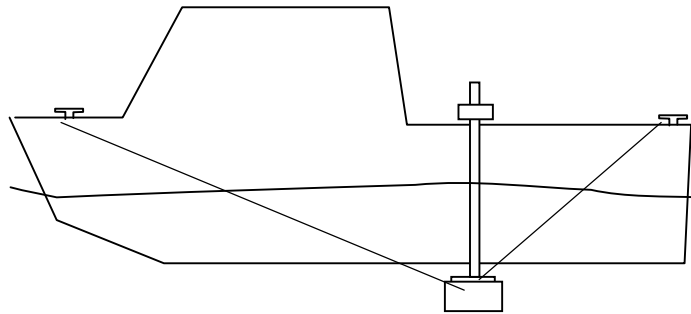
In a "sea chest" mount, a fluid-filled enclosure large enough to contain the entire transducer is attached to the outer hull of the vessel. The outer hull is removed within the area of the chest and replaced with an acoustically clear "window" which is mounted flush with the hull surrounding the chest. Depending on construction, the material selected for the acoustic window, and the draft of the vessel, access can often be gained to the transducer from inside the hull without putting the vessel in dry-dock. In most installations, a water-filled standpipe is incorporated into the "sea chest" design in order to provide hydrostatic pressure equalization. Transducer cables generally leave these assemblies through stuffing tubes, which maintain the watertight integrity of the chest.



3.5.3 "OVER-THE-SIDE" transducer installation

A mount of this type is frequently constructed from a length of pipe. This fixture should be sized to position the transducer well below the waterline and the pipe then fixed to a sturdy support on the vessel. Lines generally are attached at the transducer pipe and tied off fore and aft in order to maintain a stable, horizontal transducer attitude. Care should be taken to assure adequate protection for the transducer cable, particularly at the point where the cable leaves the transducer body.

In all of the above installations, particular care should be taken to assure that the transducer radiating face remains as parallel to the water surface as much as possible while the vessel is moving.



4 OPERATIONAL PROCEDURES

The following sequences are typical operating procedures for the Echotrac. The procedures may vary according to survey requirements and are intended only as a guide. It is assumed that the operator is familiar with the various controls and their associated functions as detailed in the preceding sections of this manual.

4.1 Things to consider when calibrating

1. Calibrate *daily* in an area that is calm; avoid any “rocking” of the vessel.
2. Never use rope or material that might stretch on your calibration bar.
3. Calibration of the CV can be for both frequencies at once.
4. Perform calibration using the shallowest and deepest depths from your area.
5. If you do not have a velocimeter to compute the speed of sound, start with the default speed of the unit. (5000 feet or 1500 meters per second or the speed from the previous day). The echo sounder is calibrated using *draft, index and speed of sound*. Measure the *draft* using a survey tape measure
8. Apply *index* for the shallow calibration.
9. Apply *speed of sound* changes for the deeper depths.
10. If the water depth is less than 20 feet (6 meters). As long as your unit is in the average speed of sound range, use only the measured draft and index for calibration. In other words, the speed of sound will have little effect.
11. If the water depth ranges from .5 to 60 feet (18 meters), build a calibration bar that can reach the deepest part of the survey.
12. For depths that exceed 60 feet use a bar that can reach as deep as possible. In areas such as these we recommend that you use a velocimeter as a check.
13. Always document and save your work.
14. *Selecting another tab in the Echotrac Control program exits the calibration functionality.*

4.2 How to calibrate the Echotrac CV

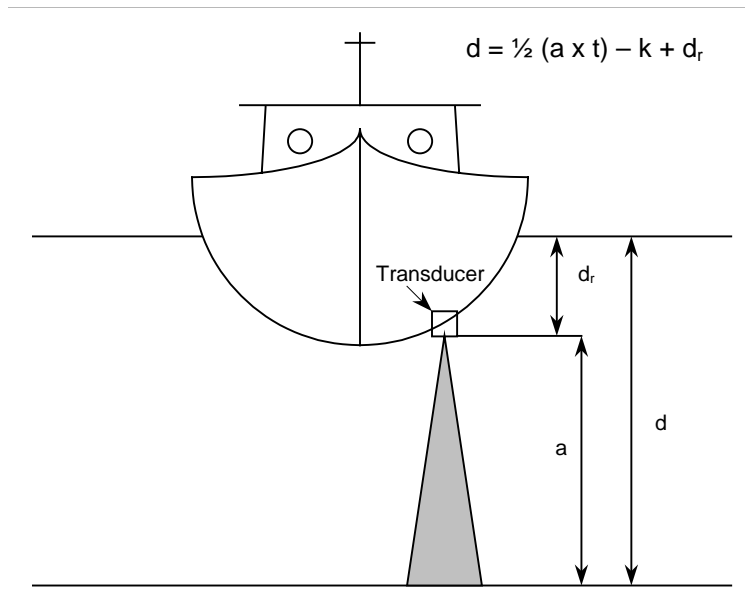
The principle of echo sounding is based on measuring the time of arrival of an acoustic return (echo) referenced to the time of transmission. The time required for sound to travel from a source (the transducer) to a destination point (the seafloor or bottom) and back can be measured and multiplied by the velocity of sound in water. This provides us with the distance that the pulse has traveled in the water column. Because the transmitted pulse traveled from the transducer to the bottom and back again, the distance must be halved to obtain the true water depth. Furthermore, other factors need to be included into the formula. If the transducer is submersed under water, the distance from the water surface to the transducer, in other words the draft value, must also be accounted for. If the calculated water depth does not exactly match the physically measured water depth, the index value is used as a correction offset. The general depth formula is shown below.

$$d = \frac{v \times t}{2} - k + d_r \quad \longleftrightarrow \quad d = \frac{1}{2} (a \times t) - k + d_r$$

Where:

- d - Actual depth from water surface to the bottom.
- v - Average velocity of sound in the water column.
- t - Elapsed time measured from the transducer to the bottom and back to the transducer.
- k - Index constant.
- d_r - Distance from the referenced water surface to the transducer (draft).





Many users may not be familiar with the parameter “Index” or “k”, although it is likely that they have seen the results of combining transducer draft and index constant into one draft figure. If you have noticed that the measured draft, or the distance from the face of the transducer to the water’s surface is not the same as the draft value entered into the sounder, then you have seen the result of lumping both together. This phenomenon is most evident when using dual frequency transducers where both high and low elements are in the same housing. Often, the draft values are very different for the two frequencies if no adjustable “k” parameter is incorporated. The difference in “k” or electronic delay between a 200 kHz element and a 24 kHz array is substantial, and is the reason behind the difference between the two “Calculated Drafts”.

Once the “k” value is determined, it will not change until either the sounder or the transducer is changed. *The Index parameter should be adjusted to make the measured draft and the calculated draft equal.*

Since the accuracy of measuring the depth depends on the value used for the velocity of sound in water (along with the other factors shown above), it is important that a realistic value for sound velocity is used. In water, velocity is a function of temperature, salinity and pressure. Therefore, the sound velocity in one area may vary from the sound velocity measured in another area. This means that whichever type of echo sounder is used, it must be calibrated in order to provide the most accurate depth data at a given location.

The most common calibration technique is the “Bar-Check” method. This method, when employed properly, has the advantage of determining the sound velocity, draft, and index value. When this method of calibration is used, acoustic sound waves are bounced off a suspended target that is lowered to a known depth between the transducer and the bottom. In this situation it is desirable that the digitizer will see only the Bar (the target) and is unable to lock on to acoustic returns from the bottom. Because the Echotrac CV employs a dynamic tracking gate or window through which the digitizer looks for returns or echoes from the bottom, manual control for the position and width of the gate is necessary. This will force the digitizer to only detect returns from the Bar. See section 4.3 on how to perform a bar-check.



4.3 How to perform a bar check

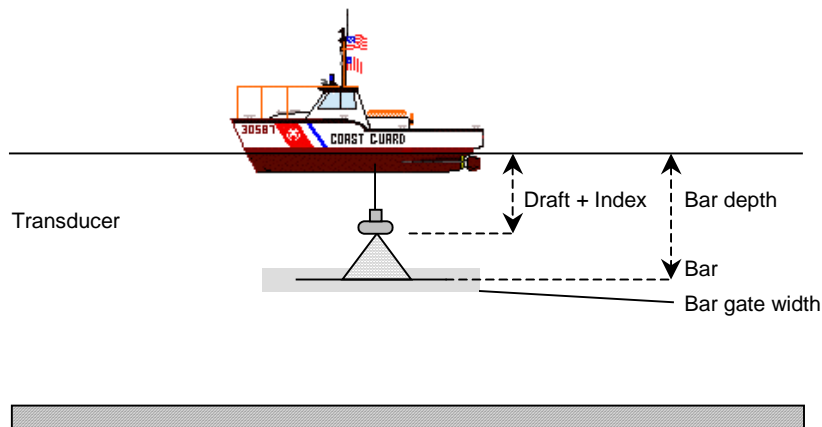
This section describes an example of how to perform a bar-check.

1. Setup the equipment and start the Echotrac control program.
2. Set the Range at 60 feet. Select the bar-depth (start with a shallow depth, typically 5 feet), bar-width (typically 1 foot), Sound velocity, Draft (measured), Index (start with 0), End-of-scale and Scale width. The Echotrac control program is now in calibration mode because the bar-depth is greater than "0".
3. Lower the bar into the water column and place it at 5 feet below the water's surface. The Digitizer in the Echotrac CV will expect to see a target at that 5.00-foot depth while rejecting all other returns (including those from the bottom).
4. Adjust the index to the correct depth.
5. Change the bar depth in the Echotrac control program.
6. Adjust the sound velocity up or down until the digitized depth matches the measured bar depth.
7. Repeat steps 3, 4, 5 and 6 to verify the calibration procedure until your reading matches the depth of the bar.

IMPORTANT:

Adjust the **draft** only when the bar is at the shallowest depth, because this is where the sound velocity has little affect on the calibration.

Adjust the **sound velocity** only when the bar is lowered to greater depths, because this is where the sound velocity becomes pre-dominant.



The figure above shows that the bar is placed under the transducer and kept at a certain measured depth using cables.



4.4 Shallow Water Operation

Set the Transmit power to mid-range, adjust the Receive gain to approximately midrange (this applies to both High and Low frequencies in dual mode) or Auto.

Ensure that the key parameters velocity, channel, draft, and index are correct. Amend any of these parameters as required.

If necessary, slowly adjust the Receive gain controls until the desired quality is obtained and no digitizer alarms are displayed. Adjustment of the Transmit power control may be called for at this point. A balance between Receive gain and Transmit power is generally desired. In many situations AUTO power will satisfy record quality requirements while at other times, where local bottom conditions dictate some variation of the Transmit power/Receive gain ratio, a manual position may work best. Note that the MAX setting on any of the above controls is seldom required.

Should the record show evidence of sporadic noise which cannot be overcome using the Receive gain controls, and should the digitizer lose lock due to this noise, then several alternatives are available. First, determine whether the digitizer is attempting to lock to a false echo or to the end of the Transmit Pulse. In either of these cases, enter a value for Blanking which is deeper than the false return. This will force the digitizer to lock to the bottom. If the Echotrac is connected to an external computer/data logger, confirm that correct digitized depths are being transferred.

4.5 Deep Water Operation

Please note that deep water operations require a bit more time to accomplish, due to the fact that returns from the bottom are received so much less frequently in deep water

In the **CHART** menu select either the **Auto** or **Manual** scale change.

Select the low frequency channel to Bathymetry.

Set the **Chart Speed** to **AUTO**. Setting the chart to advance one dot row per sounding will improve the appearance of the chart and eliminate the “blocky” appearance of records produced with low ping rates but high chart speeds.

Set the **RANGE** value to encompass the greatest depth likely to be encountered. For example: if working in 2,000 meters of water, enter a **RANGE** value of at least 2,500.

LF Pulse Width should be set to a value of at least 30. Used in conjunction with the front panel control, **TX Power**, the pulse width and amplitude determine how much acoustic energy is actually transmitted toward the bottom.

Back in the **CHART** menu, set the **Chart Width** value to suit the desired resolution. Remember, at a **Chart Width** of 1600, each dot represents 1 meter. If you have chosen to work in the **Manual Scale Change** (Scale) mode, then set the **End of Chart** value to the anticipated depth of the bottom.

Turn **Blanking On** by entering a value. A **Blanking** value which is a bit shallower than the “Shoalest” depth likely to be encountered, will help screen the digitizer from unwanted “false echoes” in the upper water column.

Begin by noting the position of the **TX Power** switch. In most cases of depths over 1,000 meters, the unit should be run at a fairly high power level (6 or greater). Slowly adjust the Receive gain potentiometer to give the desired chart quality and to allow the digitizer to lock to the bottom.



4.6 Using the optional built-in Starlink Invicta DGPS

4.6.1 Introduction

The optional internal DGPS receiver for the Echotrac CV is intended to provide the user with a compact and rugged hydrographic survey tool. With the addition of a data acquisition computer and appropriate software, a complete survey system can be achieved with only two “boxes.”. This can be a great advantage in remote or otherwise inaccessible areas where portability, quick mobilization, and ease of operation are important.

As shipped from the factory, the Starlink Invicta 210 DGPS board is configured to use the integral MSK beacon receiver for differential corrections, and to output the GLL string on the COM-port labeled “GPS OUT”. The standard configuration can easily be changed using the program GPSTMon.exe. The setup program is provided on disk with the unit, and can also be downloaded from Starlink’s web site at www.starlinkdgps.com. The program runs on any PC running the Windows operating system. Set up information is exchanged through one of the serial ports on the PC and COM-port labeled “GPS INPUT” of the Echotrac CV. Changes in the configuration do not require the operator to physically access the board.



5 TROUBLESHOOTING

5.1 The Echotrac CV does not seem to be working

If the Echotrac CV does not seem to be working right, follow the steps below to determine the cause.

1. Check if the power LED is on and does not flicker. If it does flicker, see section 5.3.
2. The Echotrac CVs have a Standby bit that is turned on by default. Try the Echotrac Control Program to communicate with the Echotrac CV.
3. Check if all the cables are properly connected and intact. If cables are not properly secured, electrical signals may not be transmitted or received.
4. Make sure you are using the correct COM-port. Windows will display an error message if the port cannot be used or if it is already open/used by another program. Programs or devices that use COM-ports are: Modem, Mouse, Scanners, Printers.
5. Try toggling the COM-port off and on with the Windows application software you are using.
6. Make sure the Echotrac CV is not in Standby mode.
7. A blinking TX LED means that the digitizer is firing, but the data may not be sent out on the COM-port of the Echotrac CV. The Echotrac CV could be in Standby mode.
8. Try powering down the Echotrac CV and powering it back up again. If the Echotrac CV is turned on before the computer, it may interfere with initializing and setting up communication channels.

5.2 The Echotrac CV power LED is off

Try powering the Echotrac CV down and back up again.

If this does not resolve the problem, contact Odom Hydrographic Systems, Inc. for assistance.

5.3 The Echotrac CV power LED is flickering

Reduce the Transmit power. It may be set too high with respect to the water depth.

5.4 What are the COM-port settings

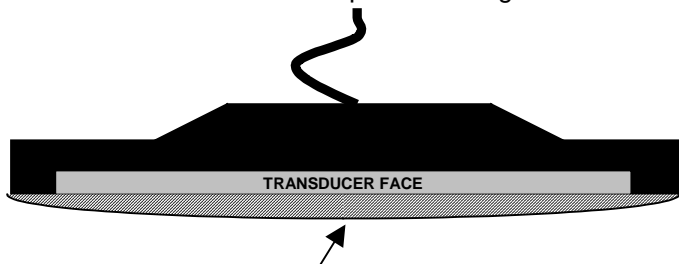
The Echotrac CV uses the following default settings for the COM-ports:

9600 baud, 8 data bits, no parity, 1 stop bit.

The COM-port used to interface with the Echotrac CV can be selected on the Communication tab in the Echotrac control program.

5.5 Known problems with Transducer

Always make sure that the transducer face has been cleaned with mild soap to improve the interface between the transducer and the water. It is sometimes possible for a thin layer of air to be trapped on the face of the transducer. This will result in poor or no signal return from the transducer.



Air trapped under a thin film layer on the face of the transducer.



6 TECHNICAL SPECIFICATIONS

6.1 Computer communications

Due largely to the pervasive presence of PC based data acquisition systems aboard survey vessels, the need has arisen for echo sounders to communicate quickly and easily in a digital format. Two of the most common communications interface formats are RS-232C and RS-422. The COM-ports on the Echotrac CV is capable of sending and receiving data in RS232 only. In its standard configuration, the unit sends ASCII characters at 9600 baud, (8 data bits, 1 start bit, 1 stop bit, no parity) to peripherals or data logging systems at the completion of each sounding cycle. COM-port "Serial 1" is a bi-directional serial port with the capability of accepting input data as well as outputting serial depth information. The following section of this chapter shows an overview of all the output strings and their formats, followed by detailed information about the output string structures.



6.2 Overview Serial Output string formats

COMPORT				CHANNEL						
1	2	3	4	CH1	CH2	CH3	Meters		Feet	
Not Heave Out	X	X	Yes	-	-	-	Subtract heave from depth (Applies to CH1, CH2, CH3)		Subtract heave from depth (Applies to CH1, CH2, CH3)	
DESO25	X	X	X	Yes	No	-	DA00001.23 m		DA00001.2 ft	
	X	X	X	No	Yes	-	DB00001.23 m		DB00001.2 ft	
	X	X	X	Yes	Yes	-	DA00001.23 m DB00001.23 m		DA00001.2 ft DB00001.2 ft	
DESODDV	X	X	X	Yes	No	-	DA00001.23 m		DA00001.2 ft	
	X	X	X	No	Yes	-	DB00001.23 m		DB00001.2 ft	
	X	X	X	Yes	Yes	-	DA00001.23 m DB00001.23 m		DA00001.2 ft DB00001.2 ft	
	X	X	X	X	X	-	DH01.23 m (Example: Heave)		-	
	X	X	X	X	X	-	DG01.23 m (Example: Draft)		-	
	X	X	X	X	X	-	CS1234 m/s (Example: Sound velocity)			
NMEA	X	X	X	Yes	No	No	\$SDDBS,3.3,f,1.0,M,0.6,F*AB		\$SDDBS,3.3,f,1.0,M,0.6,F*AB	
	X	X	X	No	Yes	No	\$SDDBS,3.3,f,1.0,M,0.6,F*AB		\$SDDBS,3.3,f,1.0,M,0.6,F*AB	
	X	X	X	No	No	Yes	\$SDDBS,3.3,f,1.0,M,0.6,F*AB		\$SDDBS,3.3,f,1.0,M,0.6,F*AB	
							Normal	Error	Normal	Error
ECHOTRAC SBT	X	X	X	Yes	No	No	_et__12345	_etE_0	_ET__12345	_ETE_0
	X	X	X	No	Yes	No	_et__12345	_etE_0	_ET__12345	_ETE_0
	X	X	X	No	No	Yes	_et__12345	_etE_0	_ET__12345	_ETE_0
							Normal	Error	Normal	Error
ECHOTRAC DBT	X	X	X	Yes	No	No	_et_H_11111	_etEH_0	_ET_H_11111	_ETE_H_0
	X	X	X	No	Yes	No	_et_L_22222	_etOL_0	_ET_L_22222	_ETOL_0
	X	X	X	No	No	Yes	-	-	-	-
	X	X	X	Yes	Yes	No	_et_B_11111 22222	_etEB_0_22222 _etOB_11111_0 etDB_0_0	_ET_B_11111 22222	_ETEB_0_22222 _ETOB_11111_0 ETDB_0_0
	X	X	X	Yes	No	Yes	_et_B_11111 33333	_etEB_0_33333 _etOB_11111_0	_ET_B_11111 33333	_ETEB_0_33333 _ETOB_11111_0
	X	X	X	No	Yes	Yes	_et_B_22222 33333	_etEB_0_22222 _etOB_33333_0	_ET_B_22222 33333	_ETEB_0_22222 _ETOM_33333_0
	X	X	X	Yes	Yes	Yes	_et_C_11111 22222 33333	_etEC_0_22222_x _etOC_11111_0_x _etFC_11111_0_0 _etGC_0_0_0	_ET_C_11111 22222 33333	_ETEC_0_22222_x _ETOC_11111_0_x _ETFC_11111_0_0 _ETGC_0_0_0
HEAVE OUT							Append heave value to output string			

Priority of channels:

Channel 1 has the highest priority, next Channel 2 and then Channel 3 has the lowest priority.

Therefore, if the depth for all three channels are being output, and all three have errors, then Channel 1 has the highest priority and its error letter will be shown in the output. Not either of the other two channels because they have a lower priority.



Channel and Error overview (for Echotrac DBT only):

Channels in use			Letter
CH1	CH2	CH3	
Yes	-	-	H
Yes	Yes	-	B
-	Yes	-	L
Yes	-	Yes	B
-	Yes	Yes	B
Yes	Yes	Yes	C

Channel with depth Error			Letter
CH1	CH2	CH3	
✓ (e)	-	-	E
✓ (e)	✓ (o)	-	D (all)
-	✓ (e)	-	E
✓ (e)	-	✓ (o)	E
-	✓ (e)	✓ (o)	E
✓ (e)	✓ (o)	✓ (f)	G (all)

If multiple channels are in use and not all the channels have an error, then priority of the channels determines which letter is displayed to indicate the Error. If all channels are used and all have an Error, a unique letter is used to identify that situation.



6.3 Serial output strings

6.3.1 Echotrac SBT

The Echotrac CV I/O is compatible with the ECHOTRAC I/O, which is the standard serial output string first introduced in the Echotrac DF3200 MKI in 1985. Due to the wide acceptance of this string and the availability of the format in a number of data acquisition systems, the string has been maintained in order to assure continued compatibility.

OUTPUT format

Char. #	Description
1	Normally a Space, an "F" Indicates Fix Mark
2	"E" units are in tenths of feet "e" units are in centimeters
3	"T" units are in tenths of feet "t" units are in centimeters
4	Normally a Space, an "E" indicates Error
5	Always a space
6	Depth Data (MSD)
7	Depth Data
8	Depth Data
9	Depth Data
10	Depth Data (LSD)
11	Carriage Return

Please note that characters 2 & 3 are in upper case whenever the **Units** are in tenths of feet, and are in lower case when the units are in centimeters.

Example: <sp>et<sp><sp>DDDDD<CR>

SBT is the default output. With the unit operating in single frequency (High or Low) or dual frequency (High and Low), the SBT string is output until another string is selected in the Communications menu. When **SBT** is selected, but the unit is operating in dual frequency, the High frequency depth is output.



6.3.2 Echotrac DBT

Using a single frequency

The following description applies to the selection of *Dual Bottom Tracking* while only one frequency (either high or low) is active.

OUTPUT format

Char. #	Description "DBT" One Frequency Active
1	Normally a Space, an "F" Indicates Fix Mark
2	"E" units are in tenths of feet "e" units are in centimeters
3	"T" units are in tenths of feet "t" units are in centimeters
4	Normally a Space, an "E" indicates High Frequency error and an "O" indicates Low Frequency error (missed return)
5	Frequency Indicator "H" = High, "L" = Low
6	Always a space
7	Depth Data (MSD)
8	Depth Data
9	Depth Data
10	Depth Data
11	Depth Data (LSD)
12	Carriage Return

Please note that characters 2 & 3 are in upper case whenever the **Units** are in tenths of feet, and are in lower case when the units are in centimeters.

Example: <sp>ETOL<sp>DDDDD<CR>



Using dual frequencies

The following description applies to the selection of *Dual Bottom Tracking* while both frequencies (high and low) are active.

OUTPUT format

Char. #	Description "DBT" Dual Frequencies Active
1	Normally a Space, an "F" Indicates Fix Mark
2	"E" units are in tenths of feet "e" units are in centimeters
3	"T" units are in tenths of feet "t" units are in centimeters
4	Normally a Space, an "E" indicates High Frequency error and an "O" indicates Low Frequency error (missed return), "D" indicates High and Low error (missed returns)
5	"B" Frequency Indicator Both High and Low
6	Always a space
7	Depth Data High Frequency (MSD)
8	Depth Data High Frequency
9	Depth Data High Frequency
10	Depth Data High Frequency
11	Depth Data High Frequency (LSD)
12	Always a space
13	Depth Data Low Frequency (MSD)
14	Depth Data Low Frequency
15	Depth Data Low Frequency
16	Depth Data Low Frequency
17	Depth Data Low Frequency (LSD)
18	Carriage Return

Please note that characters 2 & 3 are in upper case whenever the **Units** are in tenths of feet, and are in lower case when the units are in centimeters.

Example: FetDB<sp>DDDDDD<sp>DDDDDD<CR>



6.3.3 Heave

The following description applies to the selection of the *HEAVE* output string in the Communications Menu while only one frequency (either high or low) is active.

“HEAVE” One Frequency Active		
Character #	Character	Description
1	<sp>/F	Space/Fix Mark
2,3	et/ET	Centimeter/Foot Units indicator
4	<sp>, E, O	Normally Space, “E” indicates High Frequency error “O” indicates Lo Frequency error (missed return)
5	H, L	Frequency Indicator “H” = High, “L” = Low
6	<sp>	Always Space
7,8,9,10,11	DDDDD	Depth Data
12	+ or -	Heave Direction
13, 14, 15, 16	HHHH	Heave Data (x.xx) Always Centimeter Resolution
17	CR	Carriage Return

Example: <sp>etEH<sp>DDDDD+HHHH<CR>

The following description applies to the selection of *HEAVE* while both frequencies (high and low) are active.

“HEAVE” Two Frequencies Active		
Character #	Character	Description
1	<sp>/F	Space/Fix Mark
2,3	et/ET	Centimeter/Foot Units indicator
4	<sp>, E, O, D	Normally Space, “E” indicates High Frequency error “O” indicates Lo Frequency error (missed return)
5	B	Frequency Indicator “B” = Both or dual Frequency Operation
6	<sp>	Always Space
7,8,9,10,11	DDDDD	High Frequency Depth Data
12	<sp>	Always Space
13, 14, 15, 16, 17	DDDDD	Low Frequency Depth Data
18	+ or -	Heave Direction
19, 20, 21, 22	HHHH	Heave Data (x.xx) Always Centimeter Resolution
23	CR	Carriage Return

Example: FET<sp>B<sp><sp><sp>184<sp><sp><sp>193+1234<CR> ;
Fix Mark, Dual Freq., 18.4FT for High, 19.3 for Low, +12.34m heave



6.3.4 DESO25

The following description applies to the selection of *DESO25* while only one frequency (either high or low) is active.

DESO25 One Frequency Active		
Character #	Character	Description
1	D	Always D
2	A,B	"A" for High Frequency, "B" For Low Frequency
3-10	DDDDDDDD	Depth Data
11	<sp>, f	Space or "f" indicating feet units
12	m, t	"m" indicates meters, "t" indicates feet
13	CR	Carriage Return
14	LF	Line Feed

Example: DB12345.69<SP>m<CR><LF> ; Lo, 12345.69 meters
 *<CR><LF> ; Terminator symbol

6.3.5 DESO DDV

The following description applies to the selection of *DESO DDV* while only one frequency (either high or low) is active. Once every 2 seconds, the following two strings will also be output immediately after the DESO 25 outputstring has been output. There are two options: *DESO_DDV_C* and *DESO_DDV_NOC*. The former enables chart control through Deso commands. The latter does not allow chart control through Deso commands.

DESO DDV Heave		
Character #	Character	Description
1	D	Always D
2	G	Always H
3-5	DD	Heave Data
6	.	Period
7-8	DD	Heave Data decimal
9	<sp>	Space
10	m	"m" indicates meters
11	CR	Carriage Return
12	LF	Line Feed

DESO DDV Draft		
Character #	Character	Description
1	D	Always D
2	G	Always G
3-5	DD	Draft Data
6	.	Period
7-8	DD	Draft Data decimal
9	<sp>	Space
10	m	"m" indicates meters
11	<sp>	Space
12	CR	Carriage Return
13	LF	Line Feed



DESO DDV Sound Velocity		
Character #	Character	Description
1	C	Always C
2	S	Always S
3-6	DDDD	Sound Velocity Data
9	<sp>	Space
10-12	m/s	"m/s" indicates meters per second
13	CR	Carriage Return
14	LF	Line Feed

Example: DA12345.69<SP>m<CR><LF> ; Hi, 12345.69 meters
 DG<SP>0.00<SP>m<SP><CR><LF> ; Draft 0.00 meters
 CS1500<SP>m/s<CR><LF> ; Sound Velocity 1500 meters per second
 *<CR><LF> ; Terminator symbol

6.3.6 DESO COMMANDS

The following DESO commands are supported when a DESO outputstring is selected:

- TXx...80 characters max...xCL example: TXthis is a test
- VSsxx.xx_m/sCL example: VS+01.23 m/s
- EMxCL example: EM0, EM1, EM2 or EM3
- *CL Terminator command

- x = single character
- s = sign "-" or "+"
- C = Carriage Return
- L = Line Feed
- _ = space
- _m = units stated as meters [m]
- ft = units stated as feet [ft]

6.3.7 NMEA DBS

The following description applies to the selection of *NMEA DBS* when only one channel is active.

OUTPUT format

Char. #	Description
1 – 7	\$SDDBS,
	Depth in feet. Single decimal floating point number.
	,f,
	Depth in meters. Single decimal floating point number.
	,M,
	Depth in fathoms. Single decimal floating point number.
	,F*
	8 bit hexadecimal value checksum calculated over the entire string excluding the leading '\$'
	Carriage return
	Line Feed

Example: \$SDDBS,29.1,f,8.9,M,4.8,F*36<CR><LF>



6.4 Serial Data input / Chart annotation

Information that in the past was handwritten on the chart record can be transmitted to the Echotrac via the RS232 return line (ASCII Serial Input). Up to 80 ASCII characters per line can be accommodated.

Event Line (Fix Mark)

A single line across the chart is produced by sending HEX 06 (ASCII "ACK" or "Control F"). An event line will be printed across the chart at the end of the current sounding cycle and will not delay or interfere with normal operation of the unit.

Event Annotation

When required, the event line can be annotated with up to 80 characters of information. This is achieved by following the HEX 06 with HEX 01 (ASCII "SOH" or "Control A"). Once the HEX 02 is transmitted, annotation characters can be sent sequentially or with breaks between characters. The ASCII string should be delimited by a HEX 04 (ASCII "EOT" or "Control D"). This will cause the annotation to be printed and will return the ECHOTRAC to normal operation.

** Note: Event annotation must contain at least one character before the HEX 04 delimiter even if it is only a HEX 20 ("space"). Care should also be taken to avoid annotation overrun, which is caused by grouping annotated events so closely together that they obscure the record.

Header Information (multiple line annotation):

This type of information would normally be hand-written at the start or end of a survey line and would include information relating to date, time, work area, etc. Using the Heading Information input facility it is possible to have this information printed automatically on a blank section of chart. Each line is still limited to the maximum of 80 characters but there is no limit to the number of lines of annotation.

Header information is sent in the same way as Event Annotation (see above) except that a HEX 0D (ASCII "CR") delimits each line of information. The HEX 04 ("Control D") is transmitted only at the end of the complete header text. The following procedure steps through each phase of the Header Information input:

- 1 Transmit HEX 01 to request an annotation input.
- 2 Transmit a line of header information to a maximum of 80 characters.
- 3 Transmit HEX 0D ("CR") to print the line.
- 4 Transmit next line of Header Information.
- 5 Repeat step 3 and 4 as required until all Header Information is sent.
- 6 After the last "CR", send the HEX 04 delimiter to return ECHOTRAC to normal operation.

(In order to advance blank paper, send the HEX 0D ("CR") as many times as necessary.)



6.5 Serial heave input

The only string the Echotrac CV will accept is the TSS1 string. Below is a description of the string.

TSS1 String		
Character #	Character	Description
1	:	Start Character
2-3	X	Horizontal acceleration data
4-7	A	Vertical acceleration data
8	<sp>	Space
9	<sp>,-	Space if positive, minus if negative
10-13	H	Heave data
14	Q	Status flag
15	<sp>,-	Space if positive, minus if negative
16-19	R	Roll data
20	<sp>	Space
21	<sp>,-	Space if positive, minus if negative
22-25	P	Pitch data
26	CR	Carriage Return
27	LF	Line Feed



6.6 External Serial Control of Echotrac Parameters

Many of the parameters sent via the LAN port may also be entered via the serial port from an external computer or terminal. The external control feature allows remote input of the operating parameters from data files or through the computer keyboard.

Some restrictions apply to external parameter inputs, which, because of their absolute nature, are only tested against minimum and maximum limits. Echotrac control program changes on the other hand are always processed in a controlled fashion in order to prevent possible system errors. Most often problems arise if the external parameter input is not in the correct multiple for the parameter addressed.

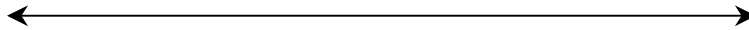
Protocol overview

13 ASCII bytes maximum are necessary to complete a parameter transfer as shown below:

The sequence begins when the Echotrac receives a CONTROL P (ASCII DLE, HEX 10) followed immediately.

<Parameter Number>'Space'<New Value>CR
13 Characters Maximum

Ex: '0' '1' 'SPACE' '1' '4' '6' '4' CR



Protocol format

The Echotrac CV input communication protocol is defined by 13 bytes.

Byte	Header	Parameter #		SPACE	New Value								Delimiter
	1	2	3	4	5	6	7	8	9	10	11	12	13
HEX	0x10 <DLE>	0x00..0xFF	0x00..0xFF	0x20	n	n	n	n	n	n	n	n	0x0D <CR>
DEX	16	0...255	0...255	32	n	n	n	n	n	n	n	n	13

Note:

HEX Hexadecimal

DEC Decimal

DLE Data Link Escape (also known as Control-P)

CR Carriage Return

SPACE This character will be represented by “_” in the examples below.

N The letter “n” represents each single digit of the New Value.

Minimum is 1 digit. Maximum is 8 digits.

Examples:

Bar depth <DLE>08_12<CR> Identifier is 08, value is 12 feet

Index <DLE>07_1500<CR> Identifier is 07, value is 1500 meters

The sequence begins when ECHOTRAC receives a CONTROL P (ASCII DLE, HEX 10) followed immediately by the parameter control string (The parameter number (2 characters) followed by a SPACE (HEX 20) then the parameter value itself (which can be up to 8 characters long) followed by a carriage return). The transfer is then complete and the ECHOTRAC returns to normal operation using the new value. In the above example the VELOCITY identified by the parameter number 08 was changed to a new value of 1464 m/s. The string delimiter (CR) will always terminate the input. Use Control T (HEX 14) to stop the chart and Control R (HEX 12) to restart the chart.



The parameter IDs that you use to send settings are the same as when you request settings. For example, to set the chartspeed you would use a parameter ID '15'.

Querying Parameter settings

To query a setting use the following 6 character sequence: <CTRL+P><Request ID><space><Parameter ID>

The Request ID is a command that the Echotrac recognizes as the command for a parameter value request. The Echotrac CV will then reply with "#CV3,P,"<UNITS><PING NUMBER><PARAMETER ID><VALUE>.

The Units is a single character F or M for Feet or Meters. The ping number is 8 characters, the Parameter ID is 2 characters and the value is 8 characters. Example:

```
<CTRL+P>86 00  
#CV3,P,F000000010000000168
```

Note: The Serial Parameter Request feature is supported in the following firmware versions only (See table below). Also, as of version 3.06 the ID used to request a parameter value changed from 86 to 187.

Firmware	Request ID
3.01 – 3.05	86
3.06 –	187

See chapter 7 Overview parameters and settings for a table listing all the parameters and their unique identifier.



7 OVERVIEW PARAMETERS AND SETTINGS

An overview of parameters and settings can be found in reference [3]. Any setting that is changed in the control program is automatically sent to the Echotrac.

7.1 External Ethernet Control of Echotrac Parameters

The Echotrac ETHERNET port runs at 10 Mbps and outputs 16 or 8 bit samples of the acoustic data. The ETHERNET port also sends out all parameters . See reference [3] for more details.



8 UPLOADING FIRMWARE

The Echotrac CV has a total of 5 processors, 3 of which can be uploaded with new firmware through the serial ports. The other 2 processors perform low-level tasks and require only infrequent upgrades. The firmware in one module uses a Motorola processor. The Communication CPU is upgradeable through Com 1 on the Echotrac CV. The Motorola processor is the main processors in the system. The firmware on the two DSP processors needs to be upgraded from the serial ports on each of the DSPs. The firmware on both DSPs should match each other but do not have to match the Motorola processor.

This section refers to the Echotrac Control Program, but the sounder can also be controlled by Odom eChart, the serial port or third party applications.

8.1 Upgrading Motorola Processor Firmware

The flash upgrading program will run on computers running Windows 95/98, Win NT, Windows 2000 and Windows XP. The other requirement is that the computer must have an on board serial port number 1 through 4. We have had success using PC Card serial ports but not USB adaptor serial ports.

Care must also be taken to ensure the Echotrac CV does not lose power or that the serial connection becomes disconnected when performing the software upgrade.

The Echotrac must be functioning correctly and all version numbers valid in order for the flash upgrade to work.

1-Install the Odom Flash Utility by Unzipping the OdomFlash.zip file in a directory. After the file is uncompressed, run the setup.exe file to install the program. Follow the instructions.

2-To upgrade the Motorola processors you need the new binary file. The file is named ECV2COM.bin and must be obtained from Odom Hydrographic Systems Inc.. We normally do not put these on our web site, but we can email them to you or they will be sent on a CD disk. Once these files have been obtained put them in a known folder in the computer with the Odom Flash Program.

3-Put the Echotrac CV in Standby mode using the Echotrac Control Program. Go to the Communication Menu in the Echotrac Control Program and set the baud rate of Com1 to 19200.
As a precaution, disconnect any cables that are not required during the flash upgrade procedure such as: Network, GPS and Heave. This will ensure that the Echotrac is not interrupted by external devices during flashing.

4-Connect the serial port of the computer to Com1 on the back panel of the Echotrac.

5-Start the Odom Flash program. Under Select Model, make sure Echotrac CV2 is selected. Under the Bin Folder, click on the Browse button and select the folder that contains the ECV2COM.bin file. Click on the Upload button.

6-Monitor the Flash utility program for messages. Do not interrupt the process.

If the upgrading procedure fails and the Echotrac CV fails to display a version number for one of the modules after cycling the power then the flash chips in that module will need to be replaced with a working set of flash chips.



8.2 Upgrading DSP Firmware

Upgrading the firmware on the DSPs is a little more involved than upgrading the firmware on the main processor but should not need to be done too often. Upgrading of the firmware requires a special serial cable that can be ordered from Odom Hydrographic Systems, Inc. The firmware for the DSPs is not on our web site so it needs to be obtained by email or sent on a disk. There are two methods for upgrading the DSP: Serhost.exe and OdomFlash. We recommend using OdomFlash and the DSP2407(A).hex file which would be the easiest way to flash upgrade the DSP. The steps below explain using the serhost.exe or OdomFlash utility (2.1 or higher).

The flash upgrading software for the DSPs will run on a computer under Windows 95/98, Win NT and Windows 2000. We have had problems running the upgrade program with Windows XP. The computer must have a serial port numbered 1 or 2.

Upgrading the firmware in the DSPs requires removing the Echotrac's cover. To do this:

- 1-Ensure the Echotrac is turned OFF and remove the power cable.
- 2-Remove the cover from the Echotrac CV removing the 8 recessed screws on the left, right and top side of the cover.
- 3- The DSP boards are the long, narrow boards that are mounted on top of the transceiver boards. There one DSP board for each transceiver board in the Echotrac.
- 4-Connect the DSP flash cable to JP13 of the DSP.
- 5-Move shunt on JP10 from the left two pins to the right two pins.
- 6-Turn the power switch of the Echotrac CV from Off to On.
- 7-There are two versions of DSP chips and each one has its own program. Look at U3 on the DSP board, if it is a TMS320LF2407FGEA use the files in the MK3 2407 Serial Flash Programming directory. If it is a TMS320LF2407AFGEA chip then use the MK3 2407A Serial Flash Programming directory.
- 8-Run the serhost1.exe file if the DSP is connected to com1 of the computer or serhost2.exe file if the DSP is connected to com2 of the computer. When prompted with a file name type in MK3Digi.hex, the program should then upgrade the firmware on the DSP.
- 9-Switch the Echotrac CV to Off and move the shunt from JP10 to the two left most pins.
- 10-Repeat steps 4-9 for the other DSP.
- 11- If the transceiver processor needs upgrading then the whole chip has to be replaced. These can be obtained from Odom Hydrographic Systems Inc. along with the tool to remove the chip. To remove the chip insert the tool into the corners of the U5 socket on the transceiver board and squeeze the tool together until the chip comes out. Replace it with the new version. Make sure the chip is align in the correct direction. The chip for both the transceiver boards is the same.
- 12-Turn the Echotrac CV from OFF to Standby and ensure all the version numbers are valid.



9 ECHOTRAC CV CABLE CONNECTIONS

9.1 Serial 1

Serial 1 is the main communication port to and from the Echotrac. Use this port to receive depth values, send annotation information, change parameters, and to upgrade the firmware.

Connector PN:	Pin Number	Signal Description
DB9 Male	2	Transmitted data from Echotrac
	3	Received data to Echotrac
	5	GND

9.2 Serial 2

Serial 2 is used for connecting a remote display to the Echotrac. Serial 2 is the only port that can be configured as either RS232 or RS422.

Connector PN:	Pin Number	Signal Description
DB9 Male	2	Transmitted data from Echotrac
	3	Received data to Echotrac
	5	GND

9.3 Serial 3

Serial 3 is used for interfacing a positioning system to the Echotrac. The Echotrac will read NMEA GLL or GGA sentences through this port.

Connector PN:	Pin Number	Signal Description
DB9 Male	3	Data from the positioning system to the Echotrac MKIII
	5	GND

9.4 Serial 4

Serial 4 is used for interfacing a motion reference sensor to the Echotrac. The Echotrac will read the TSS1 string through this port.

Connector PN:	Pin Number	Signal Description
DB9 Male	3	Data from the motion sensor to the Echotrac MKIII
	5	GND

9.5 GPS In

GPS In is only used when the Echotrac has a built in GPS unit. If the Echotrac has a built in GPS then this is the configuration port for the GPS or can be used to input external RTCM correction to the GPS.

Connector PN:	Pin Number	Signal Description
DB9 Male	2	Transmitted data to the Internal GPS
	3	Received data from the Internal GPS
	5	GND



9.6 GPS Out

GPS Out is only used when the Echotrac has a built in GPS unit. If the Echotrac has a built in GPS then this is the output port for the GPS data.

Connector PN:	Pin Number	Signal Description
DB9 Male	2	Transmitted data to the Internal GPS
	3	Received data from the Internal GPS
	5	GND

9.7 LAN

The LAN connection is the Ethernet port for the Echotrac.

Connector PN:	Pin Number	Signal Description
10BASE-T	1	TX +
	2	TX -
	3	RX +
	6	RX -

9.8 Aux

The Auxiliary port is used for acquiring the analog signal from the Echotrac.

Connector PN:	Pin Number	Signal Description
MS3116J10-6P	A	External Mark Input
	B	External Trigger Input
	C	TxRx or Start Signal
	D	Reply signal for low frequency
	E	Reply signal for high frequency
	F	GND

9.9 TX1

TX1 is the main transducer connection port for the Echotrac. If using Odom Hydrographic Systems, Inc. normal dual frequency transducer or a signal frequency transducer connect the transducer here.

Connector PN:	Pin Number	Signal Description
MS3116J14-5P	A	Shield
	B	High Frequency
	C	Low Frequency
	D	Low Frequency
	E	High Frequency



9.10 TX2

TX2 is used when there is a separate low frequency transducer from the high frequency transducer. The low frequency transducer is connected here.

Connector PN:	Pin Number	Signal Description
MS3116J14-5P	A	Shield
	C	Low Frequency
	D	Low Frequency

9.11 DC

The DC connector is used to supply DC input power. The range of the DC power is 18-30 VDC.

Connector PN:	Pin Number	Signal Description
MS3116J12-3S	A	+ 24 Volt DC
	C	GND

9.12 AC

The AC connector is used to supply AC input power. The range of the AC power is 110-230 VAC, 60-50 Hz. The Echotrac MKIII power supply automatically senses the input range and adjusts to it.

9.13 Serial Cable Connections for Echotrac with Built in GPS

The double ended (2-DB9 serial cables) are connected to the following pins of the Echotrac CV serial data connector (FWDR09S). The DB9 connectors are labeled as GPS IN and GPS OUT.

Internal Connections - GPS to the Echotrac CV serial Ports

FWDR09S	DB9 (GPS)
Pin G	Pin 2 (output)
Pin F	Pin 3 (input)
Pin B	Pin 5 (gnd.)
Jumper Pins B&C	DB9 (Echotrac CV)
Pin A	Pin 2 (output)
Pin D	Pin 3 (input)
Pin C	Pin 5 (gnd.)

Starlink DB9 Connector (the one on the GPS board)	Signal Name	HT100 Connection
Pin 2	Port A output	FWDR09S Com 1 Pin G
Pin 3	Port A input	FWDR09S Com 1 Pin F
Pin 4	Port B input	FWDR09S Com 2 Pin F
Pin 6	Port B output	FWDR09S Com 2 Pin G
Pin 8	Power	24 Volts on Echotrac CV
Pin 9	GND	GND on Echotrac CV

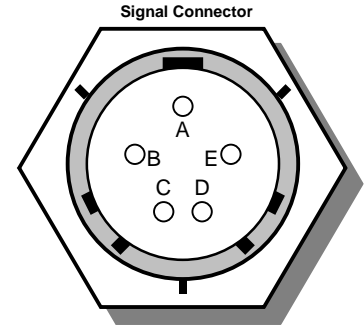


Appendix A. CABLE CONNECTIONS:

TRANSDUCER Cable Connector (Signal Connector)

P/N: MS3114E14-5S

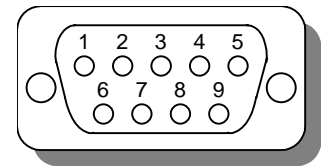
Pin #	Description
A -----	Shield
B -----	High Frequency
E -----	High Frequency
C -----	Low Frequency
D -----	Low Frequency



DB9 SERIAL Cable Connectors (Control, Data out, GPS input, GPS output)

P/N: FWDR09S

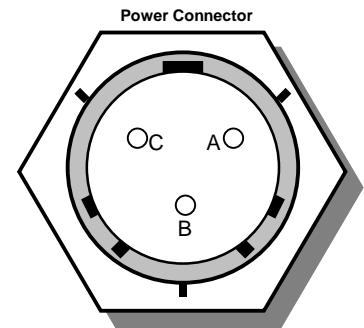
Pin #	Description
2 -----	RS-232 Input
3 -----	RS-232 Output
5 -----	Shield (Signal ground, Common return)



POWER Cable Conn. (DC only)

P/N: MS3114E12-3P

Pin #	Description
A -----	+12 or 24 VDC
B -----	No Connection
C -----	Return



Fuse: 5 amp (DC inputs only)

Standard Transducer Wiring

Transducer Model #	Description	Pin Connections
SM200-10	200kHz 10°	A - Shield B - Signal (Black) E - Signal (White)
SM200-2.75	200kHz 2.75°	A - Shield B - Signal (Black) E - Signal (White)
TM33-20	33kHz 20°	A - Shield C - Signal (Black) D - Signal (White)
HM40-20		A - Shield C - Signal (Black) D - Signal (White)



Appendix B. Quick Start Operating Procedures

ECHOTRAC CV

QUICK START OPERATING PROCEDURES

The **Echotrac CV** is designed to operate with minimal operator input, yet still provide complete flexibility for a wide range of conditions and applications.

1. Ensure that all equipment is powered off before connecting any power or signal cables.
2. Connect the Power, Transducer, Serial and GPS cables (if applicable) to the Echotrac CV.
3. Connect the other ends on the cables to the computer, Data Acquisition Software and GPS (if applicable).
4. Switch the Echotrac CV and computer power from OFF to ON.
Confirm that the power LED and Ethernet Link LED on the unit come on. After a few seconds, the Ethernet TX/RX LED should start blinking as well as one or both of the Transmit High / Low LEDs. If this does not happen then the Echotrac CV is in Standby Mode. Use the Odom eChart Windows application to start the Echotrac CV.
5. Check that the Odom eChart Windows application software is installed on the computer (see the user manual for instructions)
6. Check that the unit's parameters in Odom eChart Windows application are correctly set.
7. Select Open Communication from the Control menu in the Odom eChart Windows Application.
8. Set Range to maximum anticipated water depth.
Depending on water depth and bottom type, set the Tx Power to mid-range (position 6) in Odom eChart.
Set the RxGAIN to about halfway of the maximum scale.
Adjust RxGAIN and TxPOWER to get a clear strong record with few alarms on the displayed depth.
9. To reset all parameters to the default values of the most recent startup, choose ETCV Default Settings in the CONTROL MENU of the Odom eChart Windows application.



Page left blank intentionally

