

# HLR

## HEAVY LOAD RELEASE

### FEATURES

- Release load of 55,000 kg
- Lightweight Titanium strong back and hardware
- Easy and simple assembly and disassembly for transport
- Uses our standard 8242XS for acoustic activation
- Transponder for positioning and recovery
- 2 full years on alkaline batteries
- Secure command coding
- Options:
  - I/O communication
  - Pressure activation
  - External On/Off
  - Extended battery life
- Including this Titanium release link for long term deployments
- May be used with a steel ring during shorter deployments



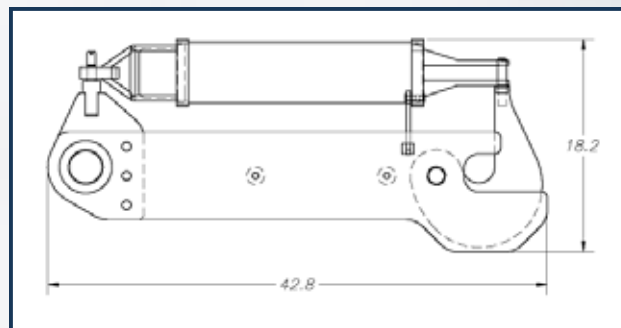
The HLR Heavy Load Release is a field-proven, reliable heavy duty acoustic release. The HLR strong back is made entirely of titanium to keep it light and strong. Titanium is also very corrosion resistant. We also use custom made Delran isolation washers to eliminate any risk of dissimilar metals causing corrosion. The HLR has been designed for easy use in both long term moorings and in lowering applications.

# HLR

## HEAVY LOAD RELEASE

### KEY SPECIFICATIONS

MECHANICAL	
Release mechanism	Motor driven rotary type with advantage hook
Release load rating	55,000 kg (121,250 lbs)
Depth rating	6000 meters (656 ft)
Length	108.7 cm (42.8 in)
Weight in air	91 kg (201 lbs)
Weight in water	71 kg (157 lbs)
Exposed materials	Acetal (washers etc) NiAlBz (mechanism) Buna-N (O-rings) Titanium
ELECTRICAL	
Command frequencies	9.3 to 10.7 kHz
Command codes	BACS commands (Edgetech formerly ORE Offshore)
Receiver sensitivity	100 dB re-1uPascal-meter
Battery life	2 years
Battery	Welded alkaline pack



For more information please visit [www.EdgeTech.com](http://www.EdgeTech.com)

info@EdgeTech.com | USA 1.508.291.0057