

ODOM
ECHOTRACTM
CV-100S



odom
HYDROGRAPHIC SYSTEMS



DIGITAL SURVEY ECHO SOUNDER

- Ethernet port for Control and Output plus 4 serial ports
- ChartView Compatible (full ping to seabed digitization)
- Frequency Agile Transceiver
- Small Size, rugged construction, waterproof (IP-67 protection)
- 9 to 32 VDC Power (< 15 watts)

ODOM ECHOTRAC™ CV-100S

Move into the digital age with echo sounders from **Odom Hydrographic Systems**. If your survey does not require traditional paper records, then forget about piles of hard copy - the **CV100-S** has eliminated all that in favor of digital imaging on a PC-based data acquisition system.

With the same technology as the popular Echotrac CV and Echotrac MKIII, including Ethernet communications, Odom's **CV100-S** single frequency is ready to make your transition to the convenience of all-digital systems painless and worry-free.

Buy Odom – invest in your peace of mind.

CV - 100 S S P E C I F I C A T I O N S

Tx/Rx Frequency

(Frequency agile in 2 bands (specify band at time of order))

- High: 100 kHz – 750 kHz (manual tuning in 1 kHz steps)
- Low: 24 kHz – 50 kHz (manual tuning in 1 kHz steps)

Resolution

- 0.01 M, 0.1 ft.

Accuracy

(Corrected for sound velocity)

- 200 kHz – 0.01 m +/- 0.1% depth
- 33 kHz – 0.10 m +/- 0.1% depth

Output Power

- Up to 200 watts RMS
- < 1 watt minimum

Ping Rate

- Up to 20 Hz in shallow water (10 m) range

Depth Range

- From <30 cm to 600 m (depending on frequency and transducer selected)

Input Power Requirement

- 9-32 V DC < 15 watts

Weight

- 5 kg (11 lbs)

Dimensions

- 28 cm w (11 in) x 23 cm l (9 in) x 11.5 cm (4.5 in)

Mounting

- Desktop or bulkhead mount (fixing hardware included)

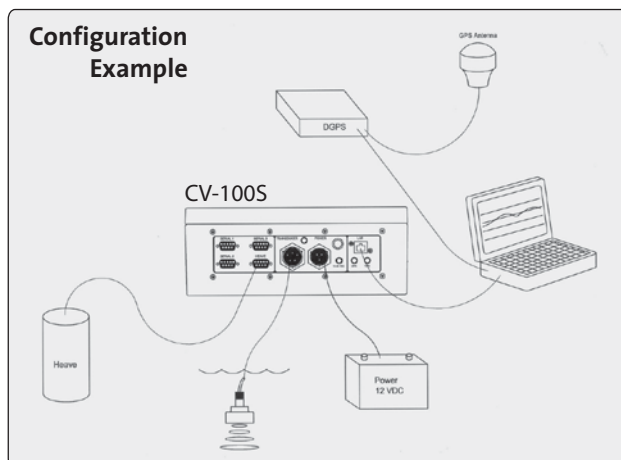
Ports/Interface:

- Ethernet (LAN) plus
- 4 x RS232 or 3 x 232 and 1 RS422
- Inputs from external computer, motion sensor, sound velocity
- Outputs to external computer or remote display
- Output string: Odom Echotrac SBT, NMEA DBS, NMEA DBT, DESO 25
- Heave Input – TSS1 or "Sounder Sentence"
- Echotrac Control SW – Simple Windows compatible graphical user interface
- Storage of full ping to seabed data in .XTF format with Optional ChartView Software

Features:

- Multiple TVG (time varied gain) curves (10, 20, 30, and 40 log)
- Auto gain control
- DSP digitizer with manual filter control
- Manual or auto scale changes (phasing)
- Calibration menu with controls for transducer draft and index plus sound velocity and bar depth controls
- Waterproof (IP67)
- Help menus
- Flash memory upgradeable
- Auto Gain and Auto Power Modes for minimal operator input

All necessary cables and software required to interface and operate the CV100-S are included.



odom
HYDROGRAPHIC SYSTEMS

1450 Seaboard Avenue
Baton Rouge, Louisiana 70810-6261 USA
E-mail: email@odomhydrographic.com
www.odomhydrographic.com